

correa

NORMA MG

Bed type milling machine

WARRANTY



75 YEARS
ANNIVERSARY
1947 • 2022

Nicolás Correa, founded in Spain in 1947, is one of world's leading companies in the manufacturing of large milling machines. With over 900 bridge type machines, 1000 floor type machines and 3500 bed type machines installed all over the world, offers milling solutions designed for the most demanding production environments, such as the power generation, automotive, aerospace and railway industries.

Nicolás Correa is the parent company of **Correa Group** composed of five industrial subsidiaries linked to the machine tool sector: Hypatia, Steelworks, Electrónica, Service and Kunming. The Group has commercial subsidiaries in China, Germany, United States and India with the aim to offer the best service in all countries. Belonging to the group provides **Nicolás Correa** with access to top quality critical supplies and offers tailored solutions especially designed for each customer's needs.



Thousands of customers around the world place their trust in **correa** range of milling machines. **Correa Group** currently exports around 90% of its production to over 30 different countries. To guarantee a high-quality service to our customers, we have an extensive international commercial and technical service network in most of the world's countries. **Correa Group** offers the widest range of milling solutions on the market, including bed type machines, gantry, floor type machines, bridge type machines, it also has a several options of multi-tasking machines. The entire range is designed and manufactured in Spain. **Nicolás Correa, S.A.** has been listed on the Madrid Stock Exchange since 1989.

NORMA MG | Unchallenged flexibility combining the rotary table live axis with the 0.02° indexing capability patented by Correa. Maximum robustness in the machine-head set.



L GUIDE-WAY SYSTEM CONFIGURATION

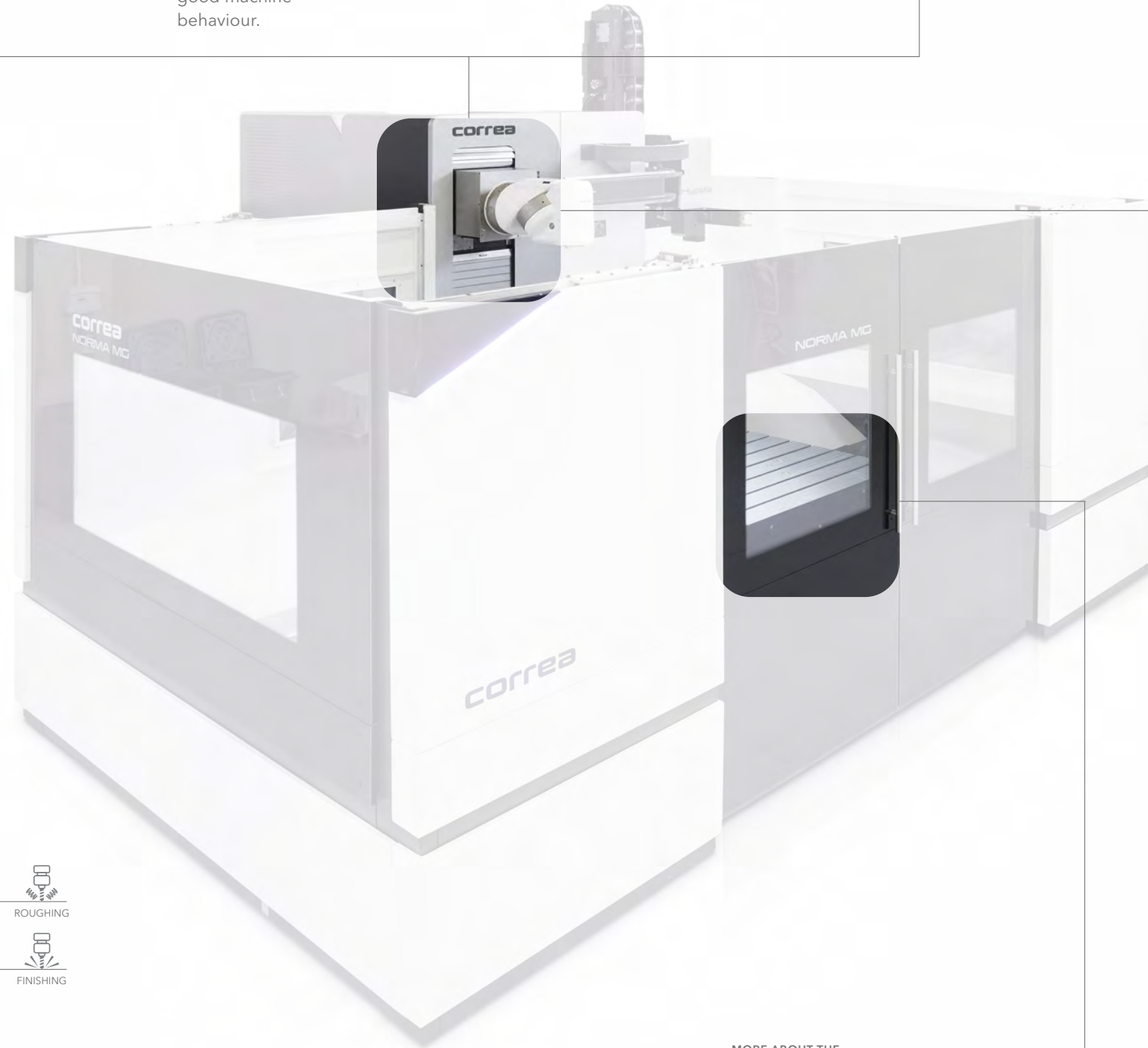
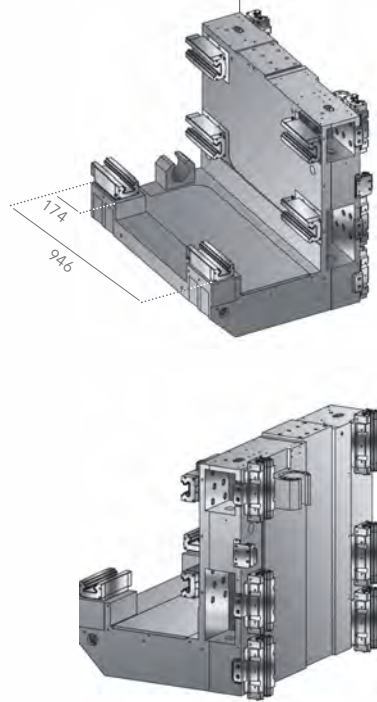
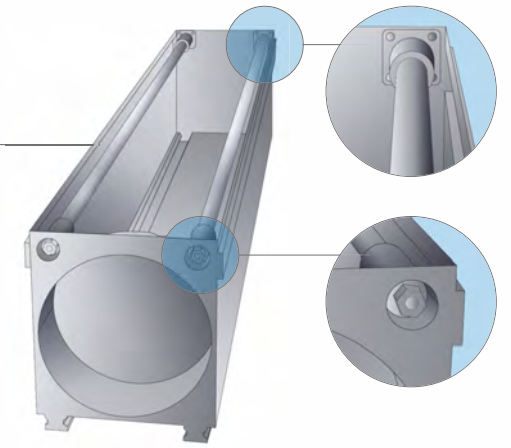
- L-shaped guide system:
 - Greater rigidity and stability during machining.
 - Greater geometrical precision.
 - Less ram droop effect.

- 6 vertical movement sliders ensuring good machine behaviour.



MECHANICAL COMPENSATION SYSTEM

Traction bars to eliminate the angular error of the ram droop effect



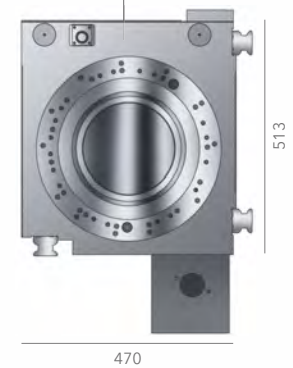
OVERSIZED STRUCTURAL ELEMENTS

The largest cross-sections on the market.



HIGH GEOMETRICAL PRECISION

High machining capacity + geometrical stability over time.

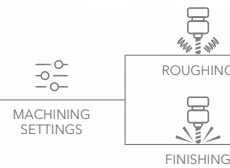


Dynamic performance parametrizable in accordance with:

- ROUGHING OPERATION
- FINISHING OPERATION



MACHINE DYNAMIC ADJUSTMENT



30 m/min in X, Y and Z axes, thanks to its V-Shaped linear guide-ways in all axes



HIGH FEED RATES



ECO DESIGN

Stand-by function and Auto Switch off function, saving 20% of the total energy machine consumption

MORE ABOUT THE NORMA MG



MULTITASKING

- Rotary table for circular milling operation.
- Maximum turning diameter of 2500 mm.

- Rotary table completely integrated in the machine's kinematics to work in 4+2 axes.

Technical Features

NORMA MG 25 • MGT 25

NORMA MG 35 • MGT 35

TABLE

Table width	1250 / 1250	1600 / 1250	1600 / 1600	2000 / 1600	mm
Surface for turning	ø 1600 / ø 2000				mm
Maximum load on the table	7 / 10				t/m ²
Turning speed of the table	250				rpm

TRAVERSES

Longitudinal [X]	2500	3500	mm
Cross [Y]	1250 / 1500		mm
Vertical [Z]	1500 / 2000		mm

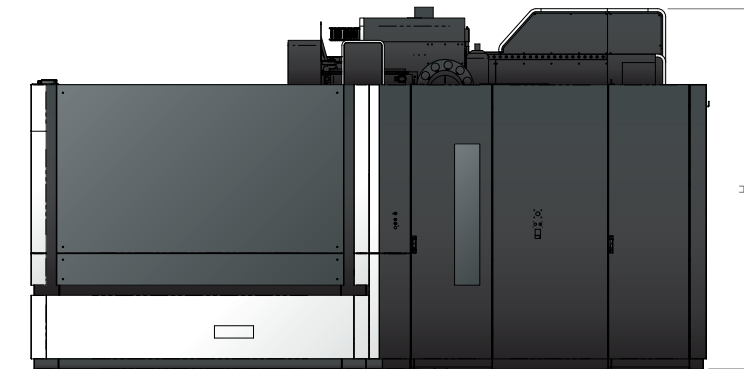
FEEDS

Maximum [X]	30	m/min
Maximum [Y]	30	m/min
Maximum [Z]	30	m/min

SPINDLE SPECIFICATIONS

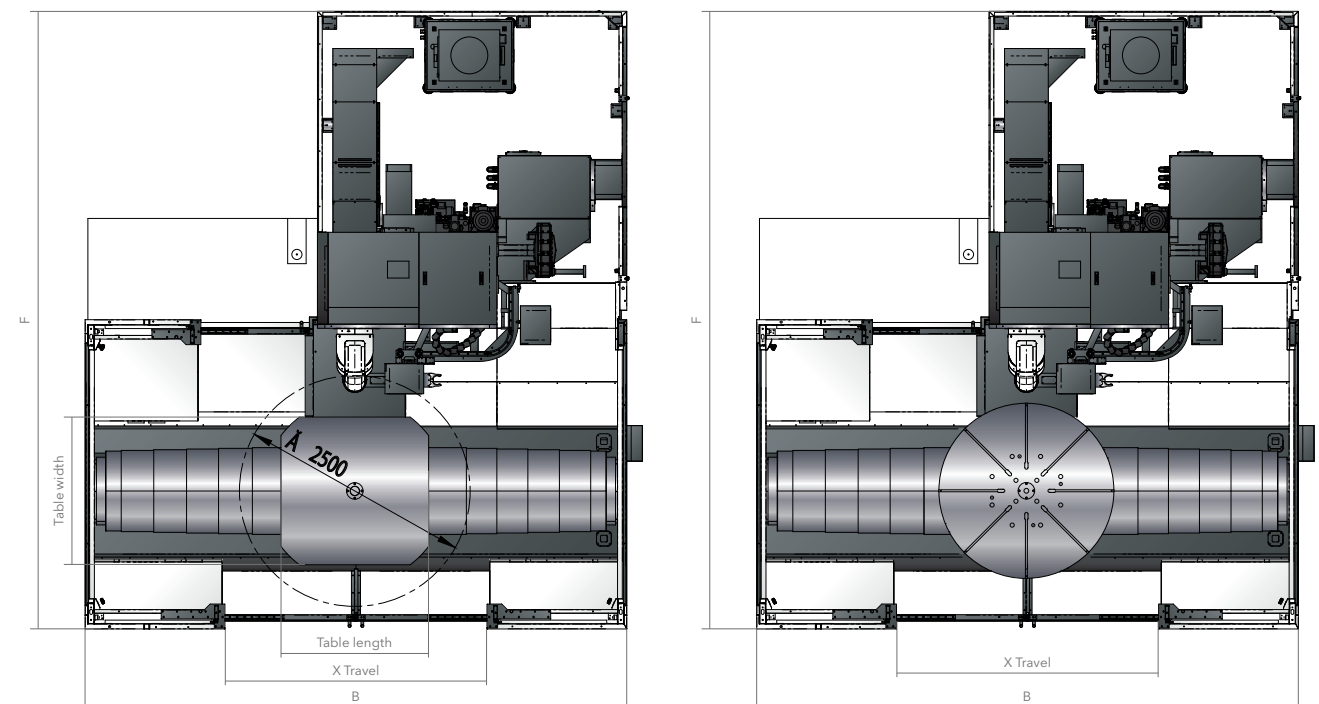
Spindle nose	ISO-50 Big Plus / HSK-100	
Programmable speed	4000 / 6000 / 10000	rpm
Maximum power	24 / 33 / 30	kW
Maximum torque	840 / 990 / 620	Nm

External Dimensions



Model	X Travel	B	Rotary table	Table length	Table width	Load capacity
NORMA MG 25	2500	5675	1250 x 1250	1250	1250	7 t
NORMA MGT 25	2500	5675	1250 x 1600	1600	1250	
NORMA MG 35	3500	6835	1600 x 1600	1600	1600	8 t
NORMA MGT 35	3500	6835	1600 x 2000	2000	1600	

Model	Y Travel	F	Z Travel	H	Operation	Rotary table	Load capacity
NORMA MG 25	1250	6835	1500	3615	Milling	ø1600	8 t
NORMA MG 35					Milling	ø2000	8 t
NORMA MG 25	1500	7085	2000	4115	Turning	ø1600	6 t
NORMA MG 35					Turning	ø2000	5 t



NORMA MG

Bed type milling machine



Milling Heads

UAD UAD T 0.02° x 0.02°

3+2 INDEXING TECHNOLOGY



Universal auto-indexing
differential head
24 kW | 840 Nm | 6000 rpm
33 kW | 990 Nm | 6000 rpm

OAD 0.02° x 0.02°

3+2 INDEXING TECHNOLOGY



Orthogonal auto-indexing
differential head
24 kW | 840 Nm | 6000 rpm
33 kW | 990 Nm | 6000 rpm

Milling Heads

UDX 0.02° x 0.02°

3+2 INDEXING TECHNOLOGY



Universal auto-indexing head
30 kW | 620 Nm | 10000 rpm

UDG 2.5° x 2.5°

3+2 INDEXING TECHNOLOGY



Universal
automatic head
24 kW | 840 Nm | 4000 rpm
33 kW | 990 Nm | 4000 rpm



Standard Equipment

- Automatic Universal Head • Gearbox
- Rotary table [allows circular milling] • Hydraulic group
- Numerical control Heidenhain TNC 640 • Linear scales in all axes
- Portable handwheel • External Coolant with adjustable nozzles in the head
- Air-conditioned electrical cabinet • Perimeter fence
- Linear guides in the X, Y and Z axes • Lamp in the working area
- Direct Tele-service

Optional Equipment

- Other heads • Air or oil cleaning gun with motor pump
- Pick up station for 8 tools • Coolant through spindle to high and medium pressure
- Automatic charger for 30, 40 and 60 tools • Centrifugal filter in cutting fluid tank
- Probes of measurement, tools and parts • Chip conveyors
- Guarding • Integral guarding
- Turning tables • Automatic pallet changer
- Vixion 4.0



MULTITASKING

correa multitasking machines combine several cutting processes on one machine. These machines offer the manufacturing capabilities of milling and turning machines into one integrated unit to use the functionality of both simultaneously.

UAD T



The universal head **UAD T** incorporates a spindle internal brake to lock the spindle axis. This solution allows to rotate the turning tool to any position and lock the spindle accordingly. This is a mechanical transmission head providing a perfect integration between milling and turning.

General Specifications

Taper: HSK-100 for both milling and turning tools. In case of turning tools HSK-100T is required.

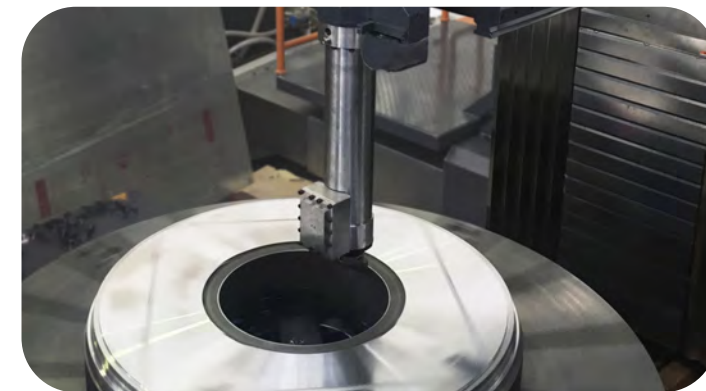
Milling mode: 6000 rpm and rotation every 0.02° in both bodies.

Turning mode: Rotation every 0.02° in both bodies.

	Material	Ø (mm)	Ap (mm)	Vc (m/min)	F (mm/min)	Q (cm ³ /min)
Medium Duty Roughing	Ck-45 (60 kg/mm ²)	1090	4.5	210	0.5	471

TUB

For internal turning operations in deep parts, Nicolás Correa has specifically designed a manual extension which includes a tuned mass absorber (TMA) internally for a better cutting performance.



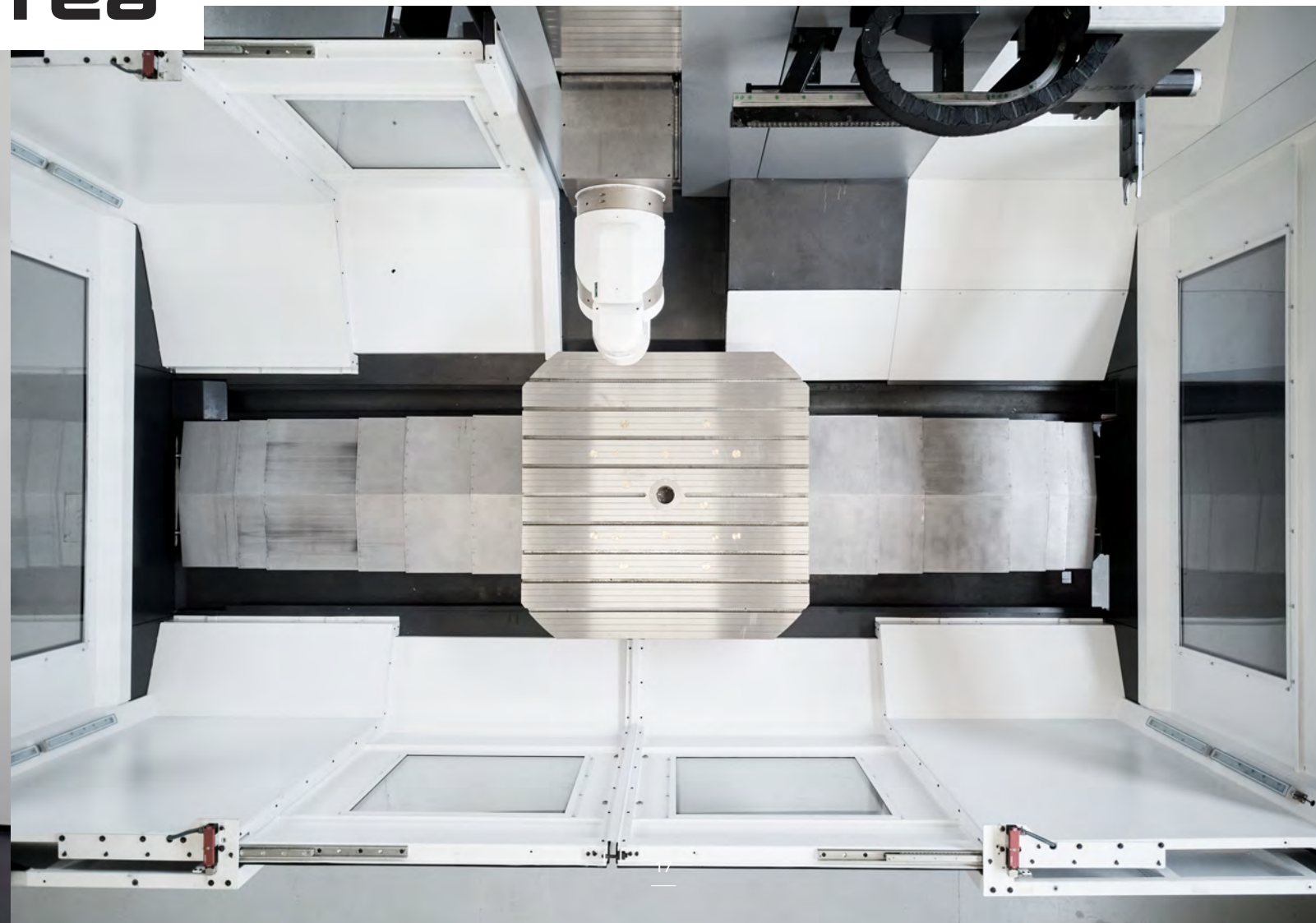
TURNING ROTARY TABLE

	Ø 1600 mm	Ø 2000 mm	
Maximum load milling/turning	8 - 6	8 - 5	t
Speed	250	250	rpm





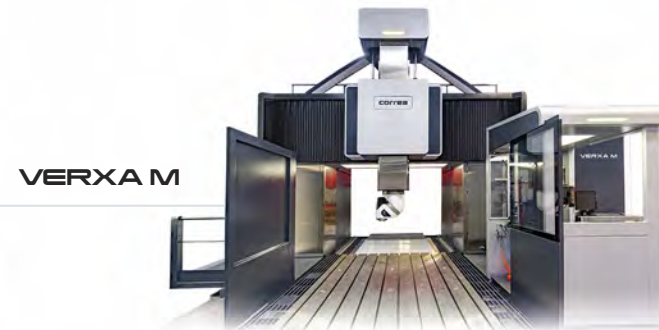
correa



Range of Equipment



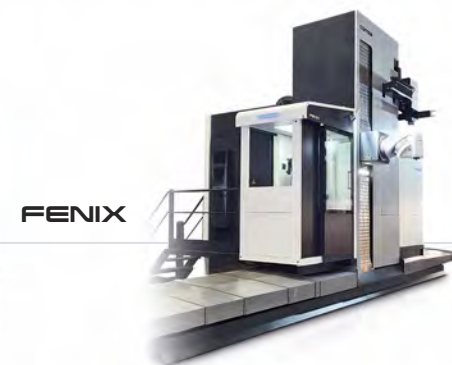
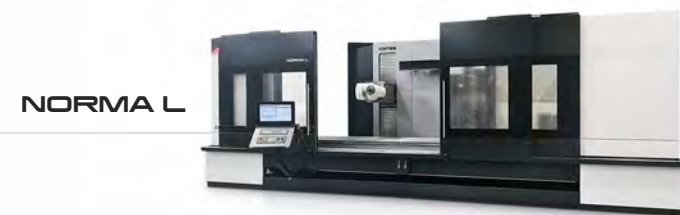
TOP GANTRY TYPE



GANTRY



BRIDGE TYPE



TRAVELLING COLUMN



BED TYPE

CORREA GROUP

www.nicolascorrea.com

GNC Hypatia

Condado de Treviño, 53
09001 Burgos • Spain
Phone: +34 947 298 528
Fax: +34 947 473 520
info@gnchypatia.com

Nicolás Correa, S.A.

Alcalde Martín Cobos, 16-A
09007 Burgos • Spain
Phone: +34 947 288 100
Fax: +34 947 288 117
correa@correa.es

